

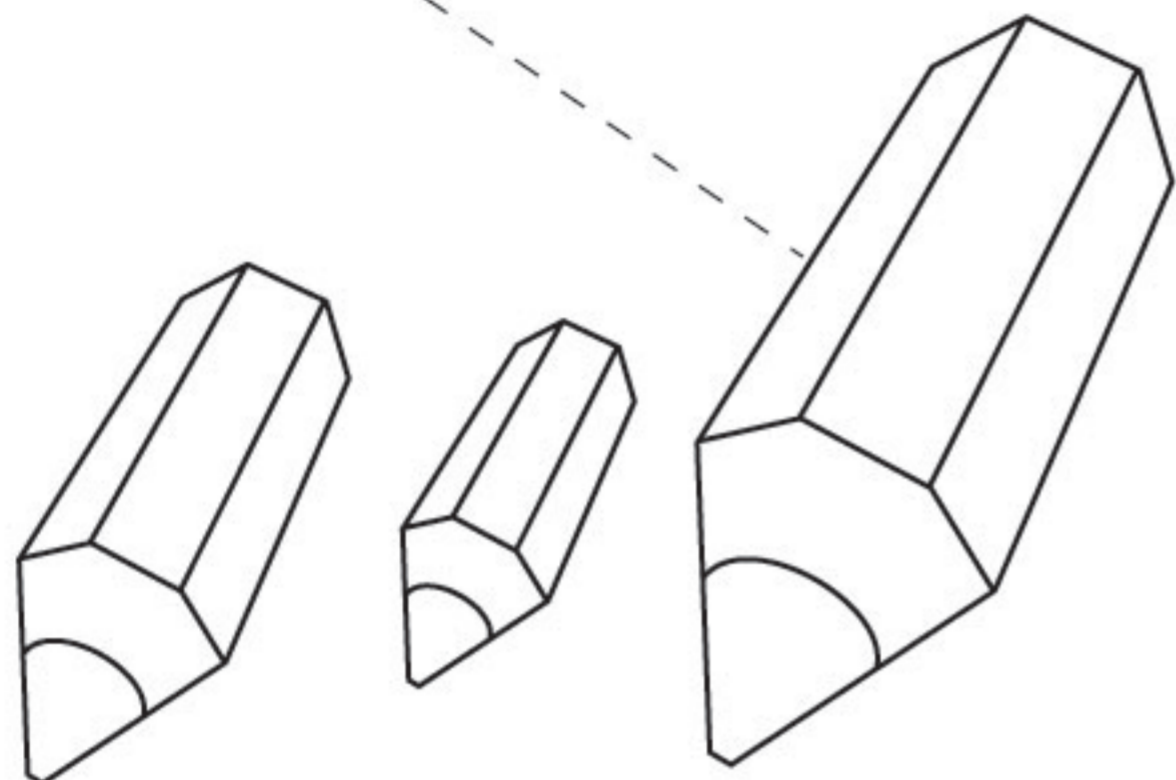
Name _____

Date _____

Size Activity

Look at the objects and read the words above them.
Draw a line to match each word to the correct size. Color the objects.

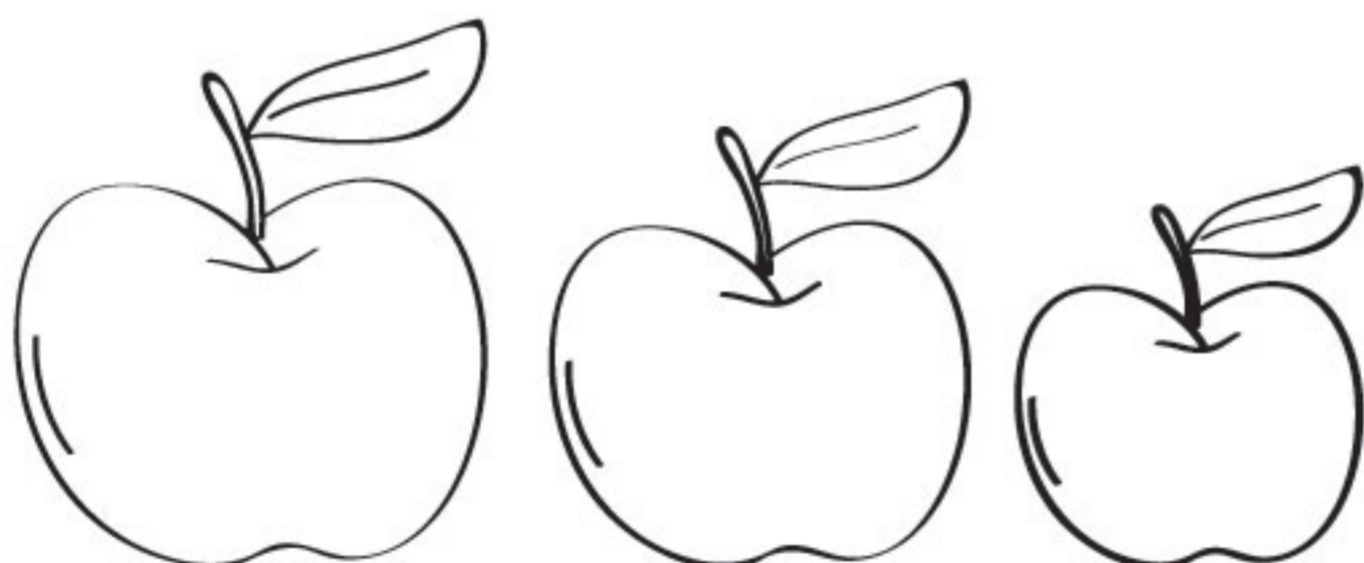
Small Smaller Smallest



Small Smaller Smallest



Big Bigger Biggest



Big Bigger Biggest

