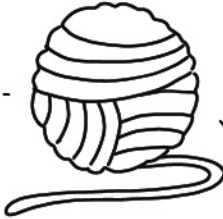

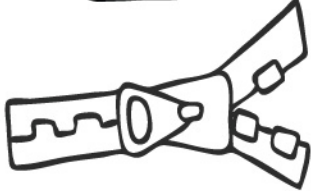




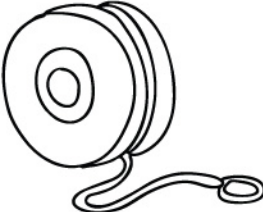
Name _____

Date _____

Match the sound

Say each letter and sound it. Say the name of each picture. Match the upper case letters to the correct picture and continue to its correct lower case letter.

Y		t
Z		Z
T		y

Y		t
T		Z
Z		y